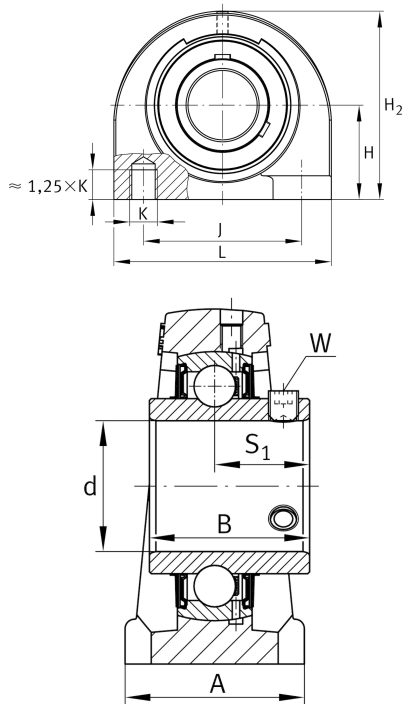
**FAG****UCPA201**

Plummer block housing unit

Schaeffler ID:
0819899030000

Plummer block housing units UCPA, cast iron housing, with short base, radial insert ball bearing with grub screws in inner ring, RSR seals

Technical information

**Main Dimensions & Performance Data**

d	12 mm	Bore diameter
L	76 mm	Length total
H ₂	62 mm	Height
	0.65 kg	Weight

Mounting dimensions

J	52 mm	Distance fixing bore
K	M10	Thread fixing bore

Dimensions

H	30.2 mm	Distance shaft axis
A	38 mm	Width (base)
Q	M6	Connection thread for lubrication
B	31 mm	Width of inner ring
S ₁	18.3 mm	Distance of raceway to locking collar

Additional information

PA204	Housing
UC201	Bearing designation

Temperature range

T _{min}	-20 °C	Operating temperature min.
T _{max}	120 °C	Operating temperature max.