



FAG

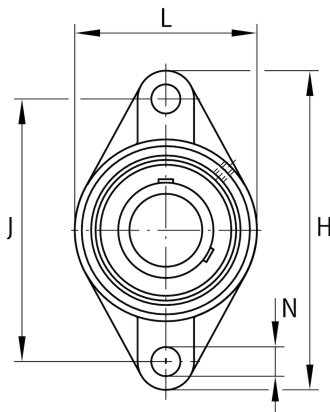
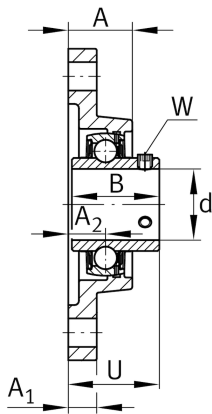
UCFL201

Flanged housing unit

Schaeffler ID:
0821552080000

Flanged housing unit UCFL

Technical information

**Main Dimensions & Performance Data**

d	12 mm	Bore diameter
L	60 mm	Flange width
H	113 mm	Height flange
U	33.3 mm	Total height unit
C_r	12,800 N	Basic dynamic load rating, radial
C_{0r}	6,600 N	Basic static load rating, radial
C_{ur}	345 N	Fatigue load limit, radial
	0.468 kg	Weight

Mounting dimensions

J	90 mm	Distance fixing bore
J	78 mm	Pitch circle diameter (holes)
N	12 mm	Fixing bore
n	2	Number of screwing holes

Dimensions

A	25.5 mm	Height housing
A_1	12 mm	Thickness of flange
A_2	15 mm	Distance raceway
B	31 mm	Width
Q	M6	Connection thread for lubrication

Additional information

	1	Number of housings
	FL204	Housing
	UC201	Bearing designation

Temperature range

T_{min}	-20 °C	Operating temperature min.
T_{max}	120 °C	Operating temperature max.