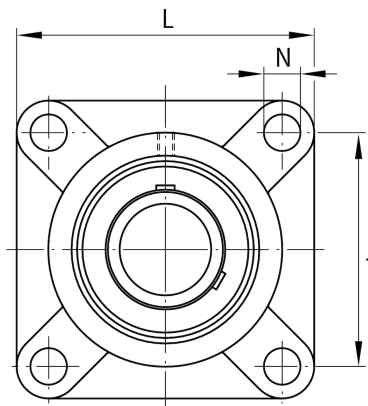
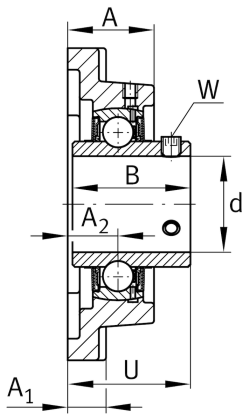
**FAG****UCF208**

Flanged housing unit

Schaeffler ID:
0808219440000

Flanged housing unit UCF

Technical information

**Main Dimensions & Performance Data**

d	40 mm	Bore diameter
L	130 mm	Flange width
U	51.2 mm	Total height unit
C_r	32,500 N	Basic dynamic load rating, radial
C_{0r}	19,800 N	Basic static load rating, radial
C_{ur}	840 N	Fatigue load limit, radial
	1.934 kg	Weight

Mounting dimensions

J	102 mm	Distance fixing bore
N	16 mm	Fixing bore
N_1	102 mm	Distance fixing bore
n	4	Number of screwing holes

Dimensions

A	36 mm	Height housing
A_1	16 mm	Thickness of flange
A_2	21 mm	Distance raceway
B	49.2 mm	Width
Q	M6	Connection thread for lubrication

Additional information

	1	Number of housings
	F208	Housing
	UC208	Bearing designation

Temperature range

T_{min}	-20 °C	Operating temperature min.
T_{max}	120 °C	Operating temperature max.