

# Valve Grinding Safety & Control Valves with Flat & Conical Seats

## Model K for valves 0.5" - 6" (12 - 150mm)

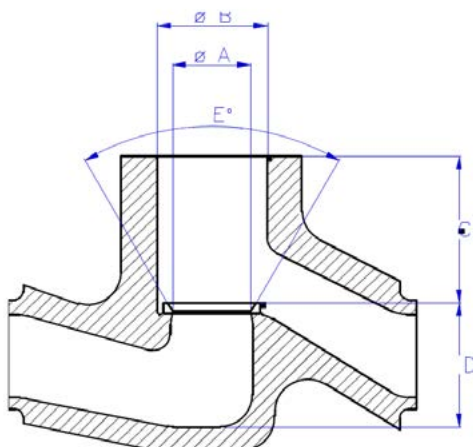
This unique, handheld system is easy to assemble. The design of the K makes it possible to use different drive units for the same equipment.

Every model K is supplied with a rugged, customised carrying/storage case complete with accessories. The case is fitted with specially designed compartments molded to the shape of each component, allowing operators to confirm at glance that all items are in place before and after grinding.

The Model K can easily be used to grind conical seats by using our unique centering system. You can also choose from three different driving units; pneumatic, electrical, battery or a combination of all three and still use the same drive shaft.

### Possible range for model K:

- A Min = 8mm
- A Max = 150mm
- B Min = 18mm
- B Max = 170mm
- C Min = 80mm
- C Max = 280mm
- D Min = 20mm
- E = 30° (2 x 15°)
- E = 40° (2 x 20°)
- E = 60° (2 x 30°)
- E = 75° (2 x 37.5°)
- E = 90° (2 x 45°)



Technical Details	Model					
	K A 65 12-65mm (1/2" - 2 1/2") Globe, control and safety valves with angled seats	K A 100 12-100mm (1/2" - 4") Globe, control and safety valves with angled seats	K B 100 12-100mm (1/2" - 4") Globe, control and safety valves with flat seats	K AB 65/100 12-65/100mm (1/2" - 2 1/2" for conical seats) (1/2" - 6" for flat seats) Globe, control and safety valves with flat and angled seats	K AB 100/150 12-100/150mm (1/2" - 4"/6") Globe, control and safety valves with flat and angled seats	K B 100 LapBlock 12-100mm (1/2" - 4") Globe, control, safety valves and wedges with flat seats
Electric drive unit 110 or 220V	option	option	option	option	option	option
Electric drive unit battery operated 110 or 220V	option	option	option	option	option	option
Pneumatic drive unit (6 - 7 bar)	option	option	option	option	option	option
K shaft I short	●	●	●	●	●	●
K shaft II long	●	●	●	●	●	●
Centralising cone I	●	●	●	●	●	●
Centralising cone II	●	●	N/A	●	●	N/A
Centralising cone III	●	●	N/A	●	●	N/A
Ball joint adaptor and grinding plate for 8mm	N/A	N/A	●	●	●	●
Support adaptor for grinding cones	●	●	N/A	●	●	N/A
Flat seat grinding plates for grinding seats	Kit K 100 12-100mm (1/2" and 4")	N/A	●	●	N/A	●
	Kit K 150 12-150mm (1/2" and 6")	N/A	N/A	option	●	option
Guiding plates	Kit K 100 12-100mm (1/2" - 4")	N/A	●	●	N/A	●
	Kit K 150 12-150mm (1/2" - 6")	●	●	option	●	option
Grinding cones including guide plates	3° kit 65, 30°, 60°, 90° 12-65mm(1/2" - 2 1/2")	option	N/A	N/A	option	N/A
	5° kit 65, 30°, 40°, 60°, 75°, 90° 12-65mm(1/2" - 2 1/2")	option	N/A	N/A	option	N/A
	3° kit 100, 30°, 60°, 90° 12-100mm(1/2" - 4")	N/A	option	N/A	N/A	option
	5° kit 100, 30°, 40°, 60°, 75°, 90° 12-100mm(1/2" - 4")	N/A	option	N/A	N/A	option
2 LapBlock long life lapping plates available in two different microns	N/A	N/A	N/A	N/A	N/A	●
Self adhesive grinding discs in rough medium and fine	●	●	●	●	●	●
Heavy duty case for transport and storage including tools to operate	●	●	●	●	●	●

A selection of standard models, other configurations and accessories are available on request